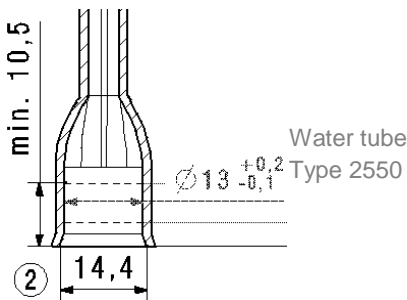


Flow-through heater Type 2550



Typical Applications

Heating or evaporation of fluids (e.g. in coffeemakers, ovens, steam cleaners etc.)

Characteristics

- favorable scaling behavior
- high power ratings possible
- high durability
- good steam quality
- leakage current safe by hydrophobized magnesium oxide
- VDE / UL mark approval

Design

2 aluminum tubular elements, electrically connected in series, brazed with water tube (aluminum or stainless steel) and thermostat mounting link

Technical Specifications

Standard module:

Voltage	230 V
Power	1600 W
Dimension tubular element	127 mm
Dimension water tube	180 mm
Electrical connection	bolts $\varnothing 2$ mm (customer-specific cabling possible)
Water tube connection	coupling with O-ring
Pressure resistance	15 bar
Unsusceptible to	all commercially available descaling agents

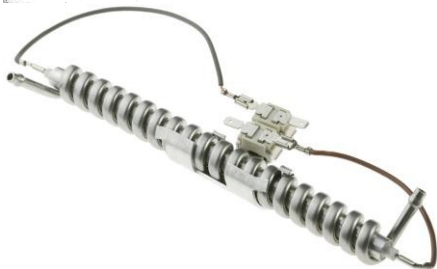
Variations:

Voltage / Power	120 V / 1100 – 1600 W
Voltage / Power	230/240 V / 1100 – 2400 W
Dimensions	on request

Flow-through heater Type 2570



Type 2570 Aluminium



Typical Applications

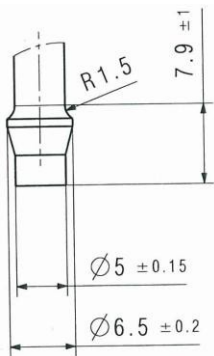
Heating or evaporation of fluids (e.g. in coffeemakers, ovens, steam cleaners etc.)

Characteristics

- compact design
- low mass, thus dynamic responsiveness (short heat-up times)
- high power density
- large heat exchange surface (i.e. high efficiency)
- leakage current safe by hydrophobized magnesium oxide
- VDE mark approval

Design

Aluminum tubular elements with wound around water tube (aluminum or stainless steel) and thermostat mounting link, brazed contact areas



Wasserrohr
Type 2570

Technical Specifications

Standard module:

Voltage	230 V
Power	1600 W
Dimension tubular element	180 mm
Dimension water tube	distance tube ends approx. 158 mm
Electrical connection	bolts Ø 2 mm (customer-specific cabling possible)
Water tube connection	hose connection
Pressure resistance	15 bar
Unsusceptible to	all commercially available descaling agents

Variations:

Voltage / Power	120 V / 500 – 1500 W
Voltage / Power	230/240 V / 500 – 1800 W
Dimensions	on request