

Flange Heating Element (FHE)



Typical Applications

The Flange Heating Element (FHE) is meant for heating up water in the industrial sector. All heating elements have to be covered completely by water.

The FHE is intended for installation in stationary systems inside buildings.

Characteristics

- The power of the FHE has to be adequately controlled to avoid too high temperatures.
- The FHE is equipped with a safety temperature limiter. It is located in the terminal box of the FHE. The triggering temperature can be adjusted between 20°C and 150°C. A triggered safety temperature limiter can be reset manually by pushing the green reset button (under protective cap) after the temperature dropped by approx. 10K below the triggering temperature.

Technical Specifications

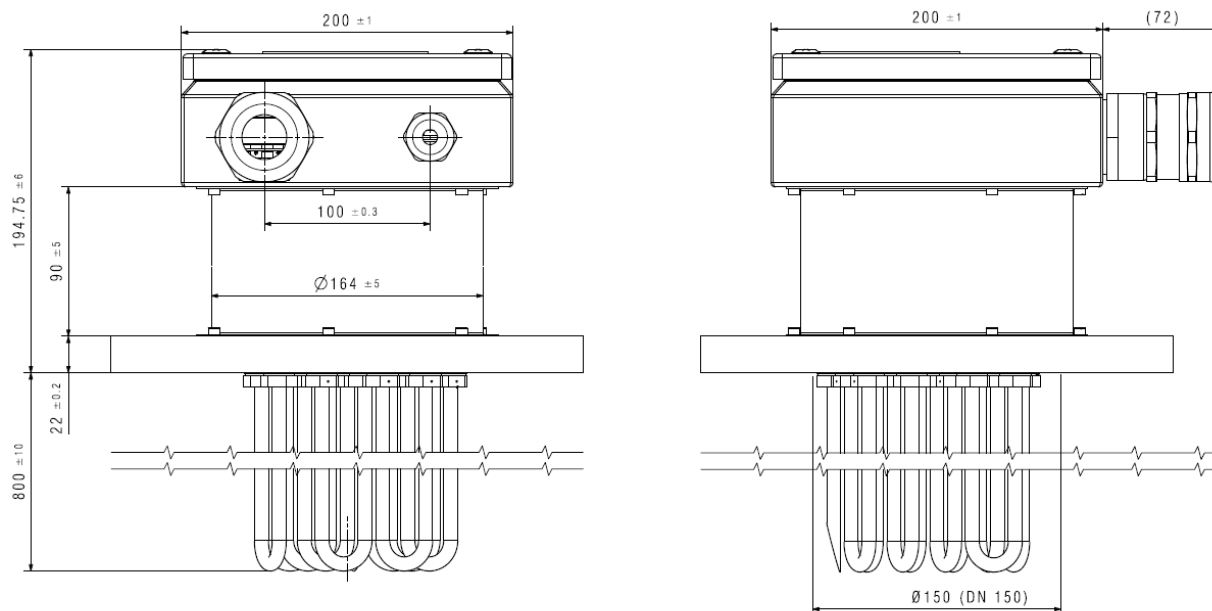
Type	Supply voltage [VAC]	Total output [W]	Current / Phase [A]
969-43-85	3x 380 / 220	27.700	42,5
	3x 400 / 230	30.700	44,5
	3x 415 / 240	33.000	47,0
969-43-85	3x 440 / 254	27.700	36,4
	3x 460 / 266	30.300	38,0
	3x 480 / 277	33.000	39,7
969-43-85	3x 690 / 398	30.000	25,2

Further voltage and power ratings on request

Flange Heating Element (FHE)



Sketch:



Dimensions in mm

